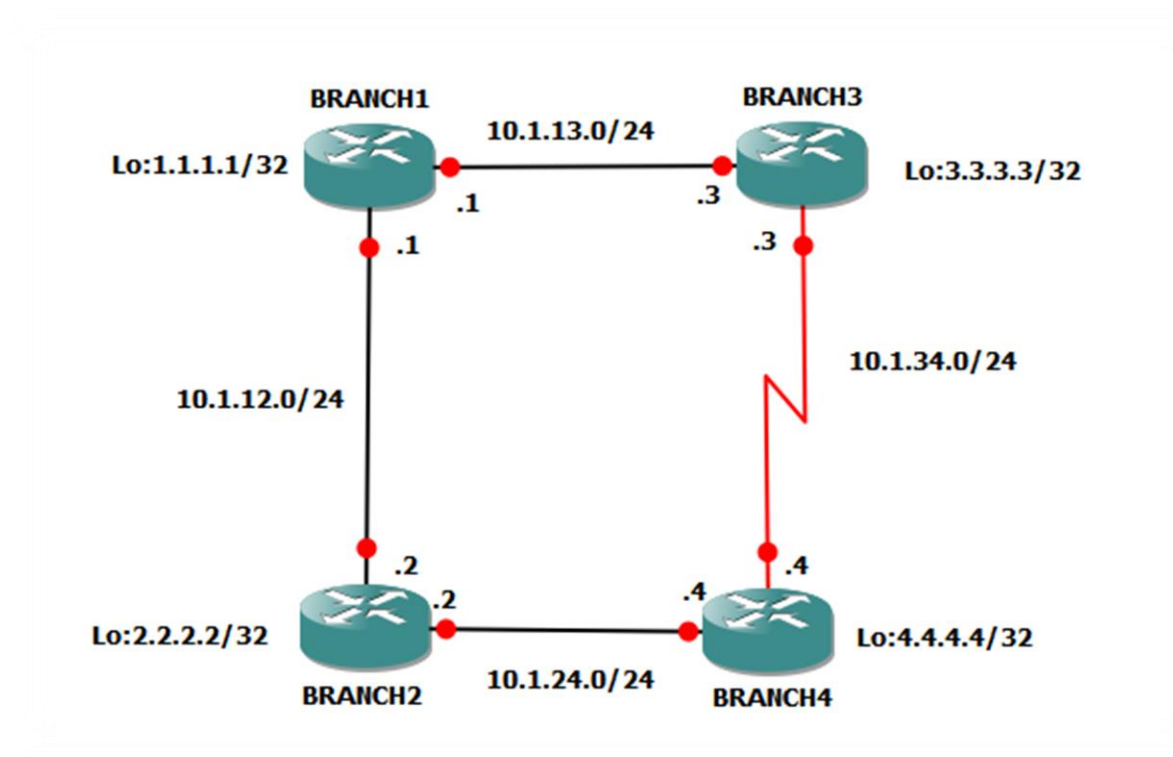


RIP LAB



1. Configure RIP version 2 on all the routers and make sure that the no summarization is ON by default.
2. Advertise all the networks in RIP including the Loop back networks. Make sure you can ping any router Loopback from any router.
3. Make sure that RIP Authentication is being used on all the routers. Use the password or Key-chain cisco, Key-ID will be 1 and Key-String will be urduitacademy
4. Turn on the debug and you will see that the RIP updates are being sent towards Loopback interface. It should not come on the Loopback interface
5. Because we are using a T1 connection between Branch 3 and Branch 4 make sure the RIP does not send any traffic on this link using Broadcast or Multicast
6. At the moment the traffic from Branch 3 to Branch 4 is using the T1 connection because of the Lower Metric Value make sure that Branch 3 uses Fastethernet interface to reach out to Branch You are only allowed to do the changes on Branch 4 router.
7. Create 10 Loopbacks on the Branch4:
Loopback 1: 172.16.0.0/24
Loopback 2: 172.16.1.0/24
Loopback 3: 172.16.3.0/24
Loopback 4: 172.16.4.0/24
8. Configure a Summary Route on Branch4 so that Branch2 and Branch 3 will have 172.16.0.0/22 in its routing table.